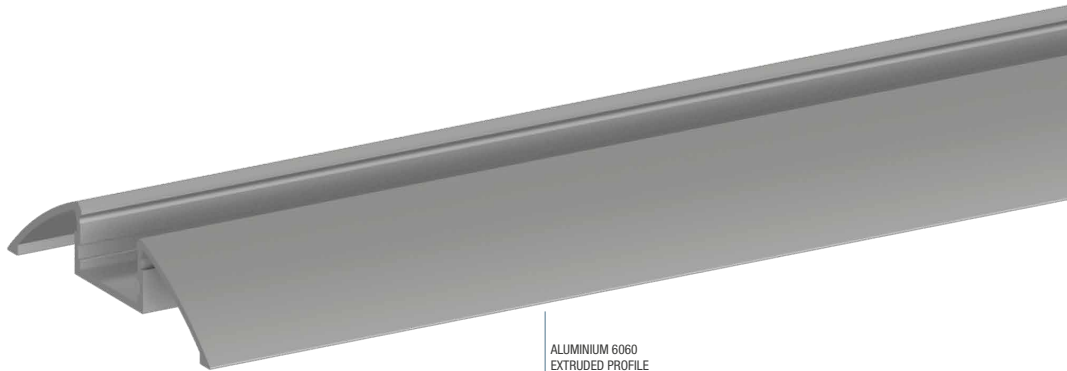


# VELA

Anodised aluminium 6060 extruded profile with direct light output, designed and produced to be surface-mounted. Extremely easy to install, thanks to the brushed snap-in diffuser, side supports, and concealed clip. Available in several sizes, it is ideal to house and dissipate LED Strips.

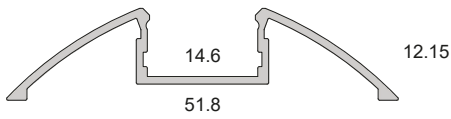
 EXTRUDED IN ITALY



ALUMINIUM 6060  
EXTRUDED PROFILE



1:1 SCALE



BASIC CODES

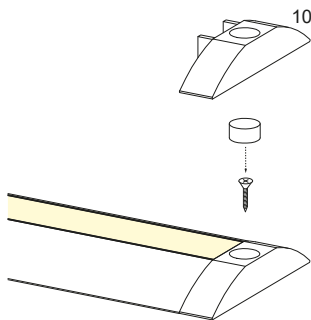
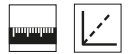
**PA.VELA.**

LENGTH

- 1 1000mm
- 2 2000mm
- 3 3000mm

FINISHES

- 1 Matt white RAL9003
- 2 Matt black RAL9005
- 7 Brushed aluminium



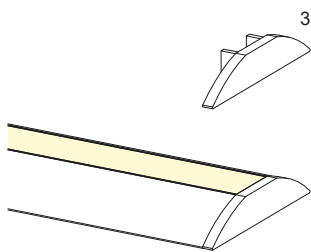
BASIC CODES

**SVE01.**

FINISHES

- 1 White
- 2 Matt black
- 5 Grey
- 7 Brushed aluminium

Hole fixing and closing side support for M3x20 screw and cover cap. Made of ABS.



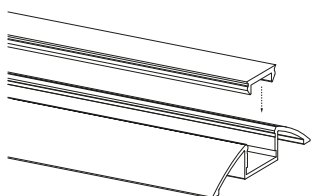
BASIC CODES

**SVE02.**

FINISHES

- 1 White
- 2 Matt black
- 7 Brushed aluminium

Side aluminium closing support. Easy and quick to install, by exerting a slight side pressure.



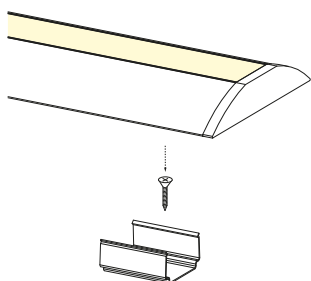
BASIC CODES

**PA.13PE56.**

LENGTH

- 1 1000mm brushed
- 2 2000mm brushed
- 3 3000mm brushed

Brushed snap-on diffuser. The diffuser can be easily removed for maintenance operations.



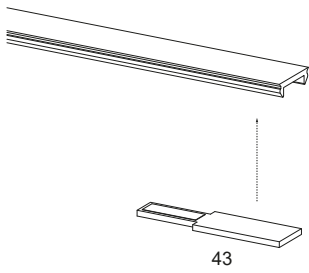
BASIC CODES

**PAGG11**

Steel clip for snapping onto flat surfaces. The clip hooks onto the rear slots, which will be perfectly adhered to the surface. 12xM2.5 screws included.

NB. We recommend No. 1 Clip per 500mm

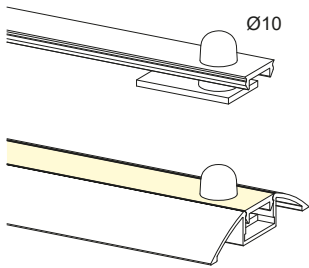
Code example: VEIA Profile + 1000mm Length + Brushed Aluminium Finish = Code: PA.VELA.17



BASIC CODES

## TC02

Rectangular electronic device with ON/OFF TOUCH system. The LED can be switched ON/OFF by gently touching the sensitive device section. To be installed inside the profile, in contact with the diffuser, with the double-sided tape supplied (12Vdc and 24Vdc 4A max.)



BASIC CODES

## TC19

Rectangular electronic device with ON/OFF Sensor function. The Sensor system is motion-activated to switch ON the LED. If no movements are detected, the LED switches OFF. To be installed inside the profile, by drilling a Ø10mm hole on the diffuser (12Vdc and 24Vdc 4A max.)

Code example: VEIA Profile + 1000mm Length + Brushed Aluminium Finish = Code: PA.VELA.17